

FEATURES AND SPECIFICATIONS

Features and Benefits

- Compatible with 64-bit PCI card
- Optional for 3.3 or 5.0V card configuration
- Provides low card insertion force
- Surface Mount Compatible
- Locating pegs for PCB retention

Reference Information

Product Specification: PS-89177
 Packaging: Box
 Use With: 64-bit PCI card
 Designed In: Millimeters

Electrical

Voltage: 500V AC
 Current: 1.0A max.
 Contact Resistance: 30mΩ max.
 Dielectric Withstanding Voltage: 500V AC
 Insulation Resistance: 1,000 MΩ min.

Mechanical

Contact Retention to Housing: 2.94N (0.66 lb) min.
 Insertion Force to PCB: 2.254N (0.511 lb) min.
 Withdrawal Force: 0.254N (0.057 lb) min.
 Mating Force: 117.6N (26.24 lb) max.
 Unmating Force: 1.0N (0.224 lb) min.
 Durability: 50 cycles max.

Physical

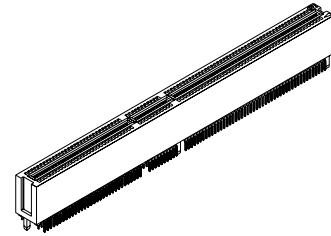
Housing: Brown glass-filled PPS, UL 94V-0
 Contact: Phosphor Bronze
 Plating: Contact Area—Gold over Tin
 Terminal—Nickel
 Operating Temperature: -55 to +105°C



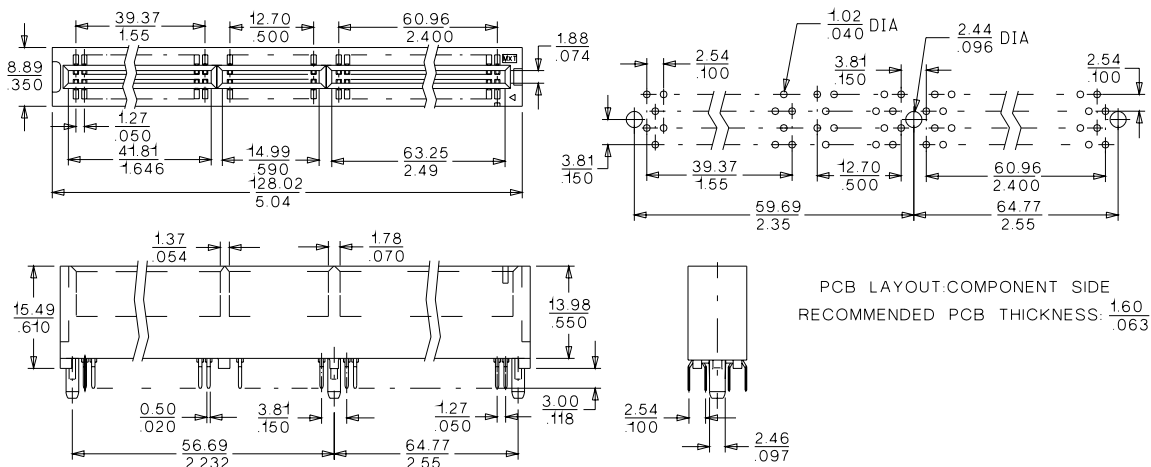
1.27mm (.050") Pitch Compact PCI Slot Board-to-Board Edge Card Connector

89177

184 Circuit, Vertical Double-Sided, Dual Read-Out



CATALOG DRAWING (FOR REFERENCE ONLY)



ORDERING INFORMATION AND DIMENSIONS

Circuits	Order No.	Plating
184	89177-92X0	Gold Flash
	89177-92X1	10μ" Gold
	89177-92X2	15μ" Gold
	89177-92X3	30μ" Gold
	89177-92X4	20μ" Gold
	89177-92X5	40μ" Palladium Nickel

Note: Replace X with number if Peg and Color Option 0 to 6

Peg and Color Option	Description
0	Standard; Brown, 5V, Plastic Peg
1	Standard; White, 5V, Plastic Peg
2	Standard; Brown, 3V, Plastic Peg
3	Standard; White, 3V, Plastic Peg
4	Standard; Red, 3V, Plastic Peg
5	Standard; White, 5V, Metal Peg
6	Standard; White, 3V, Metal Peg

Sockets and Edge Connectors