

FEATURES AND SPECIFICATIONS

Features and Benefits

- High cycle, dual beam, LFH™ (Low Force Helix) contacts
- Polarization achieved by a "D" shaped housing/shield
- Positive retention jackscrew: thread 4-40 UNC-2A&B
- Compact size for space efficiency
- 360° shielding from EMI/RFI

Reference Information

Product Specification: PS-74320-001
 Packaging: Bag
 Mates With: [88741](#) cable assemblies
 Designed In: Millimeters

Electrical

Voltage: 40V
 Current: 1.5A
 Dielectric Withstanding Voltage: 500V
 Insulation Resistance: 1000 MΩ min.

Mechanical

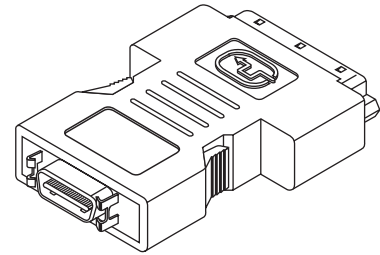
Mating Force: 10.0 lbf (4.5kgf) max.
 Unmating Force: 2.2 lbf (1.0kgf) min.
 Durability: 100 cycles



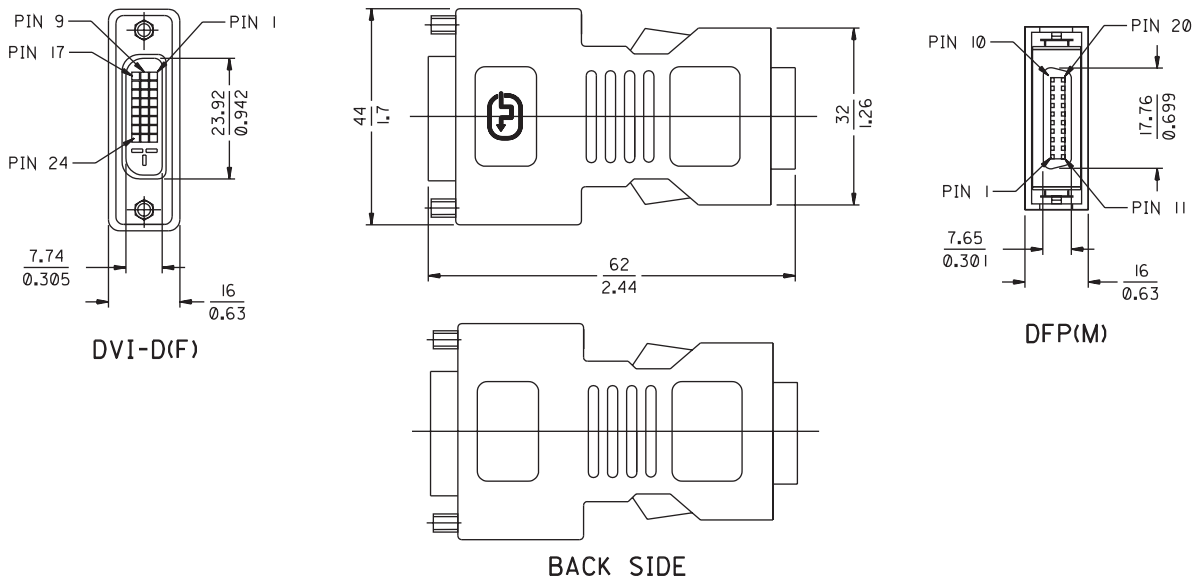
MicroCross™ DVI Digital Visual Interface Shielded I/O Adapter

88741

DVI-Digital Receptacle to DFP Plug



CATALOG DRAWING (FOR REFERENCE ONLY)



ORDERING INFORMATION

Order No.
88741-9300