

**FEATURES AND SPECIFICATIONS**

**Features and Benefits**

- Meets SCA-2 Enhanced Single Connector Attach specifications for small form factor disk drives
- Direct attachment to backplane arrays or motherboard
- Single I/O connector for storage devices interface
- ESD ground contact with integral metal hold-down for mechanical hold-down before and after processing
- Integral blind mate capabilities with  $\pm 2.00\text{mm}$  (.079") misalignment tolerances

**Reference Information**

Product Specification: PS-87012-0001

Packaging: Tray

UL File No.: E29179

CSA File No.: LR19980

Mates With: [71743](#), [71744](#), [73826](#), [73829](#),

[87018](#), [87557](#) and [87620](#)

Designed In: Millimeters

**Electrical**

Voltage: 30V AC

Current: 1.0A

Contact Resistance: 35m $\Omega$  max.

Dielectric Withstanding Voltage: 500V AC

Insulation Resistance: 1000 M $\Omega$  min.

**Mechanical**

Contact Retention to Housing: 4.4N (.99 lb) min.

Mating Force: 0.88N (.20 lb) max.

Unmating Force: 0.15N (.03 lb) min.

Durability: 500 cycles

**Physical**

Housing: High-temperature thermoplastic, UL 94V-0

Contact: Copper Alloy

Plating: Contact Area—0.76 $\mu\text{m}$  (30 $\mu\text{in}$ ) Gold

Solder Tail Area—3.81 $\mu\text{m}$  (150 $\mu\text{in}$ ) Tin

Underplating—Nickel

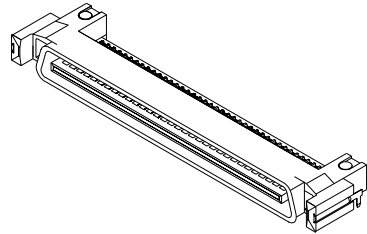
Operating Temperature: -40 to +105°C



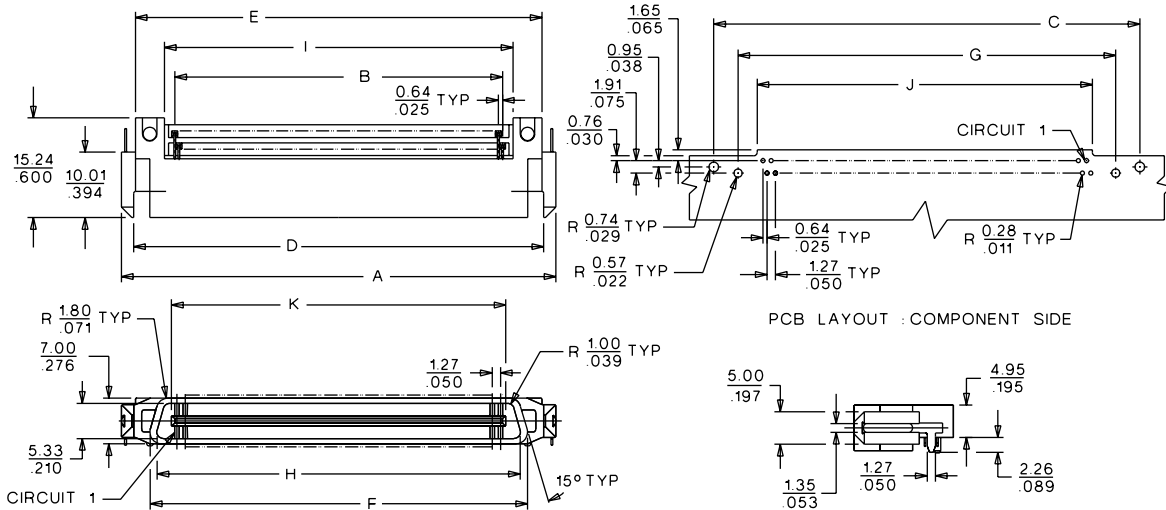
**1.27mm (.050") Pitch  
EBBI™ 50D  
Board-to-Board  
Plug**

**87012**

**Right Angle, Through Hole,  
Reverse D Mate, SCA-2**



**CATALOG DRAWING (FOR REFERENCE ONLY)**



**ORDERING INFORMATION AND DIMENSIONS**

Circuits	Order No.	Dimension										
		A	B	C	D	E	F	G	H	I	J	K
40	87012-0008	41.10 (1.618)	24.77 (.975)	39.83 (1.568)	37.34 (1.470)	36.83 (1.450)	32.46 (1.277)	32.39 (1.275)	29.87 (1.175)	27.94 (1.100)	25.91 (1.020)	25.78 (1.014)
80	87012-0001	66.50 (2.620)	50.17 (1.971)	65.23 (2.568)	62.74 (2.470)	62.23 (2.450)	57.87 (2.278)	57.79 (2.275)	55.27 (2.180)	53.34 (2.100)	51.31 (2.020)	51.18 (2.014)