

FEATURES AND SPECIFICATIONS

Features and Benefits

- Fully shielded connector
- Shield with enhanced panel grounding tabs
- Exceeds Category 5 performance
- Automatic vacuum placement

Reference Information

Product Specification: PS-95122 and PS-85505 (Section 5.2)

Packaging: Antistatic blister tape on reels

Mates With: FCC68 plugs

Designed In: Millimeters

Electrical

Voltage: 125V

Current: 1.5A

Contact Resistance: 20mΩ max.

Dielectric Withstanding Voltage: 1000V

Insulation Resistance: 500 MΩ min.

Shielding Effectiveness: 20dB min.

Physical

Housing: Black polyamide, UL 94V-0

Contact: Phosphor Bronze

Plating: Contact Area—Post plate 1.27 to 1.52μm
(50 to 60μ") Gold

Solder Tail Area—1.90μm (75μ") min. Tin/Lead

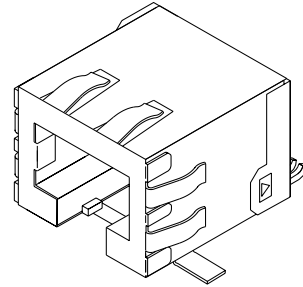
Underplating—Nickel

Operating Temperature: -40 to +80°C

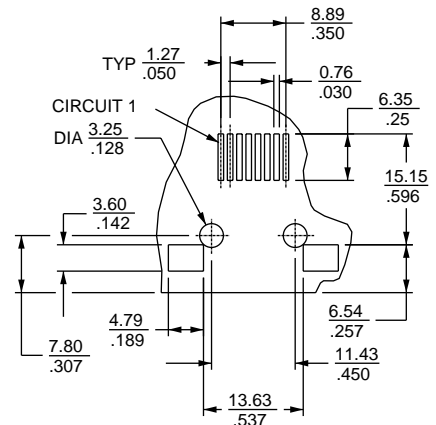
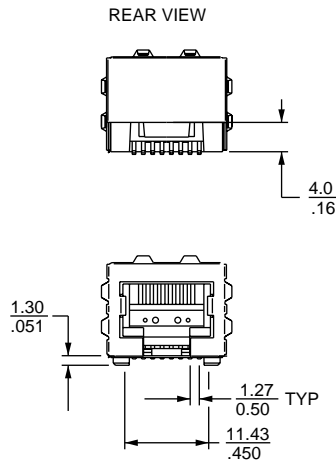
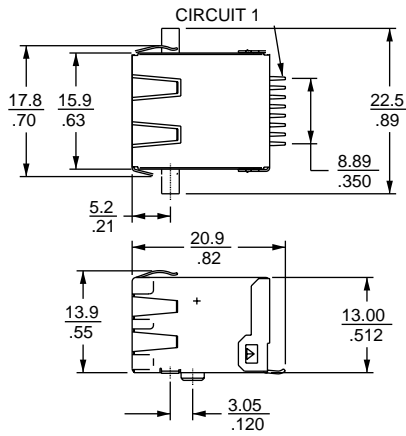
molex® Modular Jack

85543

**High Speed, SMT
Right Angle
Low Profile
Shielded**



CATALOG DRAWING (FOR REFERENCE ONLY)



PCB LAYOUT: COMPONENT SIDE

RECOMMENDED PCB THICKNESS: 1.57 / .062

ORDERING INFORMATION

Circuits	Loaded Contacts	Order No.
8	8	85543-0001

Modular Plugs and Jacks

0