

FEATURES AND SPECIFICATIONS

Features and Benefits

- Fully shielded connector
- Shield with enhanced panel grounding tabs
- Automatic vacuum placement

Reference Information

Product Specification: PS-95122
 Packaging: Antistatic blister tape on reels
 Mates With: FCC68 plugs
 Designed In: Millimeters

Electrical

Voltage: 125V
 Current: 1.5A
 Contact Resistance: 20mΩ max.
 Dielectric Withstanding Voltage: 1000V
 Insulation Resistance: 500 MΩ min.
 Shielding Effectiveness: 20dB min.

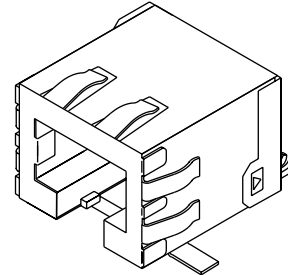
Physical

Housing: Black polyamide, UL 94V-0
 Contact: Phosphor Bronze
 Plating: Contact Area—Post plate 1.27 to 1.52μm (50 to 60μ") Gold
 Solder Tail Area—1.90μm (75μ") min. Tin/Lead
 Underplating—Nickel
 Operating Temperature: -40 to +80°C

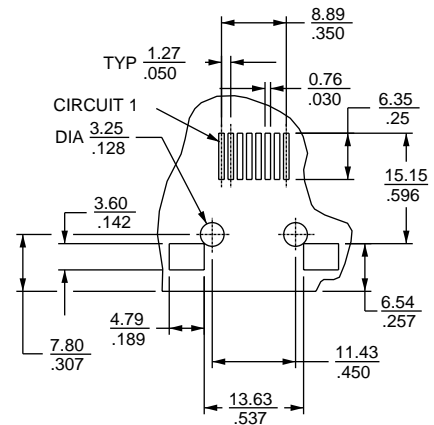
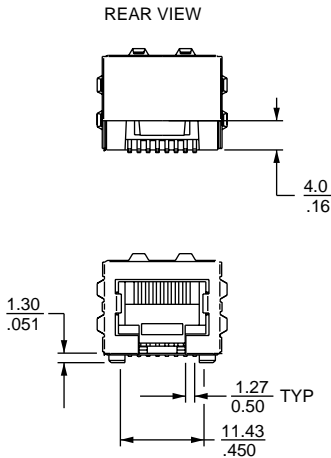
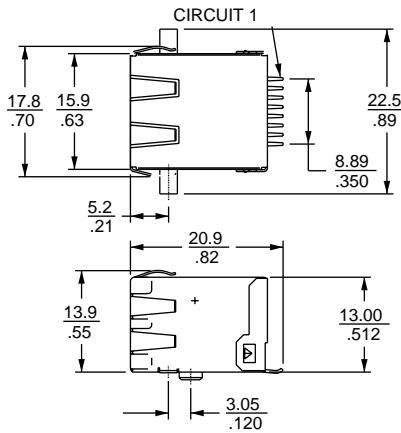
molex® **Modular Jack**

85542

**SMT, Right Angle
 Low Profile
 Shielded**



CATALOG DRAWING (FOR REFERENCE ONLY)



PCB LAYOUT: COMPONENT SIDE

RECOMMENDED PCB THICKNESS: 1.57 / .062

ORDERING INFORMATION

Circuits	Loaded Contacts	Order No.
8	8	85542-0001

Modular Plugs and Jacks

0