

FEATURES AND SPECIFICATIONS

Features and Benefits

- Foot pattern identical to industry standard
- High reliability, square contact
- EMI/RFI protection
- ISDN Standard

Reference Information

Product Specification: PS-85520-005
 Packaging: Tray
 Mates With: FCC68 plugs
 Designed In: Millimeters

Electrical

Voltage: 125V
 Current: 1.5A
 Contact Resistance: 20mΩ max.
 Dielectric Withstanding Voltage: 1000V
 Insulation Resistance: 500 MΩ min.

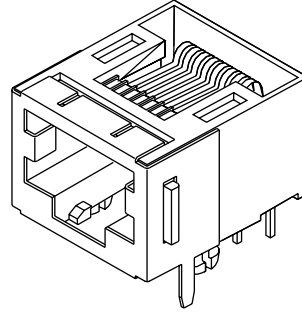
Physical

Housing: Black polyester, UL 94V-0
 Contact: Phosphor Bronze
 Plating: Contact Area—Post plate 1.27 to 1.52μm
 (50 to 60μ") Gold
 Solder Tail Area—1.90μm (75μ") min. Tin/Lead
 Underplating—Nickel
 Operating Temperature: -40 to +80°C

molex® Modular Jack

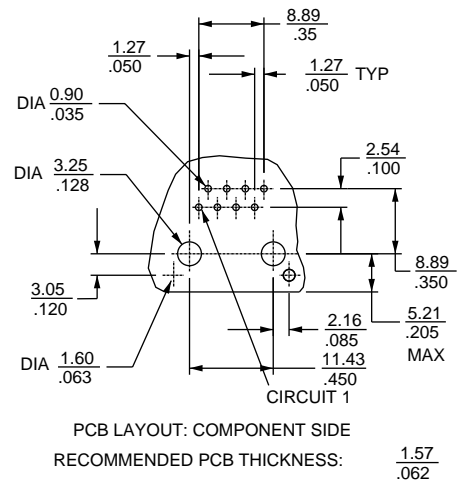
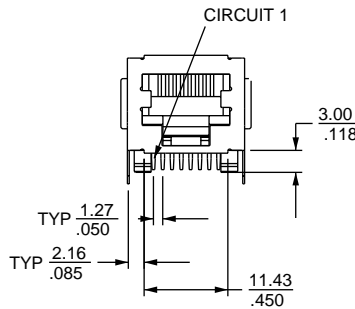
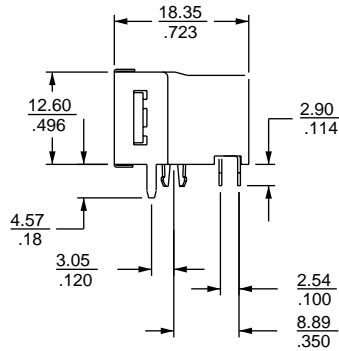
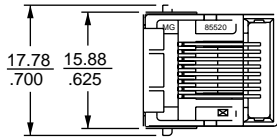
85520

Right Angle Low Profile Front Shield



CATALOG DRAWING (FOR REFERENCE ONLY)

Modular Plugs and Jacks



ORDERING INFORMATION

Circuits	Loaded Contacts	Order No.
8	8	85520-0002