

FEATURES AND SPECIFICATIONS

Features and Benefits

- Automatic vacuum placement possible
- Foot pattern identical to industry standard
- High reliability, square contact
- 0.10mm coplanarity

Reference Information

Product Specification: PS-95003
 Packaging: Anti-static blister reel, 13" and 22"
 Mates With: FCC 68 plugs
 Designed In: Millimeters

Electrical

Voltage: 125V
 Current: 1.5A
 Contact Resistance: 20mΩ max.
 Insulation Resistance: 500 MΩ min.

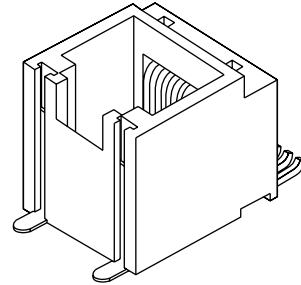
Physical

Housing: Black polyamide, UL 94V-0
 Contact: Phosphor Bronze
 Plating: Post plate 1.27 to 1.52μm (50 to 60μ") Gold
 in contact area, 1.90μm (75μ") min. (90/10)
 Tin/Lead in tail area both over Nickel overall
 Operating Temperature: -40 to +80°C

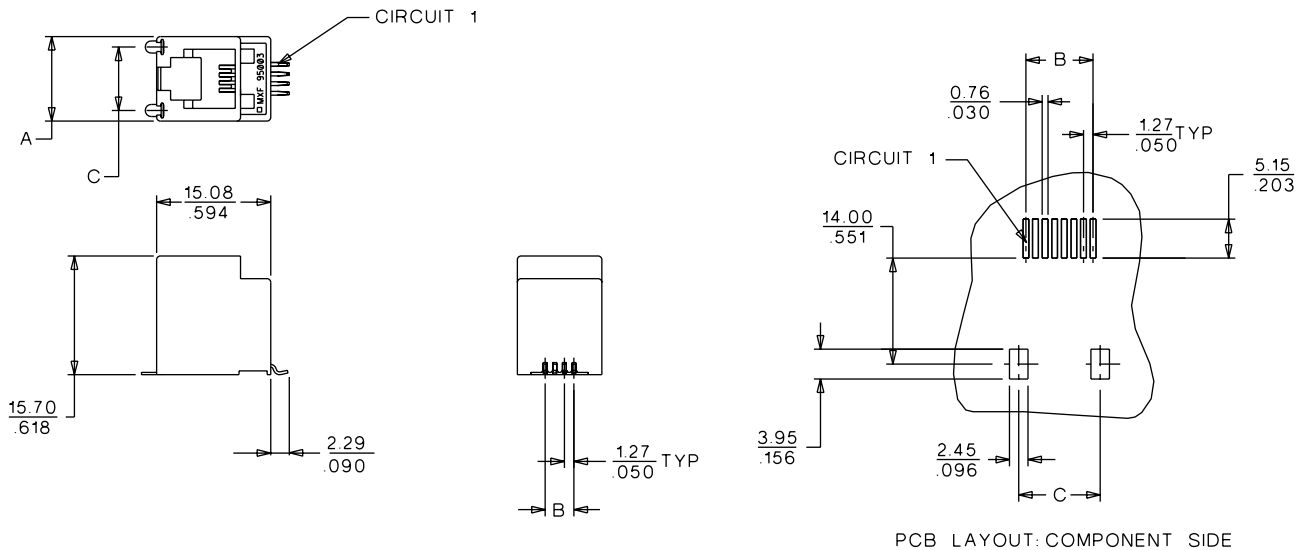
molex® **Modular Jack**

85510

SMT, Vertical
Standard Profile with Small
Panel Cutout



CATALOG DRAWING (FOR REFERENCE ONLY)



ORDERING INFORMATION AND DIMENSIONS

Circuits	Loaded Contacts	Order No.		Dimension		
		Blister Reel 22"	Blister Reel 13"	A	B	C
4	4	85510-0025	85510-0017	11.18 (.440)	3.81 (.150)	8.40 (.331)
6	4	85510-0026	85510-0018	13.21 (.520)	3.81 (.150)	9.95 (.392)
6	6	85510-0027	85510-0019	13.21 (.520)	6.35 (.250)	9.95 (.392)
8	8	85510-0028	85510-0020	15.24 (.600)	8.89 (.350)	10.77 (.424)