

FEATURES AND SPECIFICATIONS

Features and Benefits

- Metric connector system
- No heat stake pegs
- V-press fit System
- 5 rows

Electrical

Working Voltage: 750Vrms (fully loaded)
 Current: 1.5A max. (fully loaded)
 Contact Resistance: 30mΩ max.
 Insulation Resistance: 10⁶ MΩ min.

Mechanical

Mating Force: 1N (.22 lb) max.
 Unmating Force: 0.6N (.13 lb) min.
 Wipe: 2.50mm (.098")

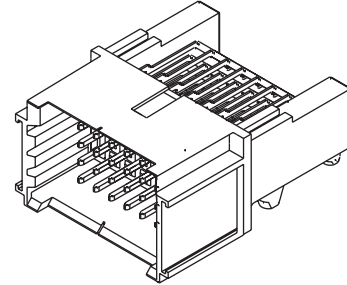
Physical

Housing: Polycarbonate, UL 94V-0
 Color: Gray RAL 7032
 Contact: Phosphor Bronze
 Plating: Gold performance level 1, per IEC 1076-4-100

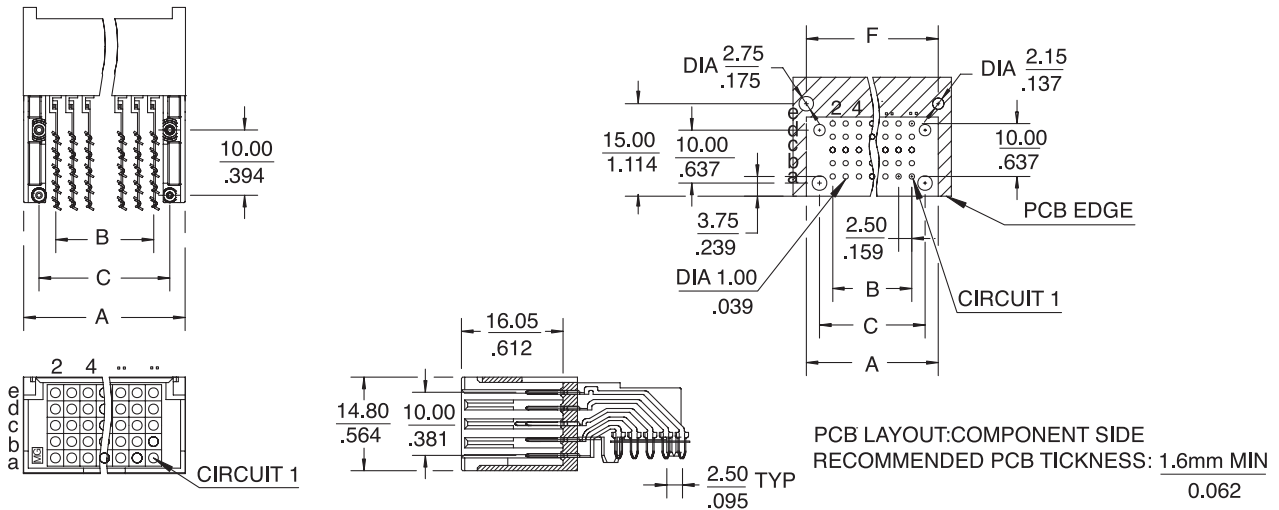
**molex® 2.50mm (.098") Pitch
 Omnigrid®
 Header**

85141

**Right Angle, Cable Interface
 IEC 1076-4-100**



CATALOG DRAWING (FOR REFERENCE ONLY)



ORDERING INFORMATION AND DIMENSIONS

Order No.	Size	Terminals	Packaging	Dimension			
				A	B	C	F
85141-0000	1 SU	45	1200 pieces	30.00 (1.181)	20.00 (.787)	25.00 (.984)	30.00 (1.181)

Note: Customized solutions are available on request