

FEATURES AND SPECIFICATIONS

Features and Benefits

- Up to 35 contacts
- Selective loading available
- Rear plug pin lengths available
- First-make/last-break contacts
- Last-make/first-break contacts (Available at any position)
- C-pins

Electrical

Working Voltage: 750Vrms (fully loaded)
 Current: 1.5A max. (fully loaded)
 Contact Resistance: 30mΩ max.
 Dielectric Withstanding Voltage: 1000V
 Insulation Resistance: 10⁶ MΩ min.

Mechanical

Insertion Force to PCB: 160N (35.97 lb) max.
 Mating Force: 1N (.22 lb) max.
 Unmating Force: 0.6N (.13 lb) min.
 Durability: PL 1—500 cycles
 PL 2—250 cycles

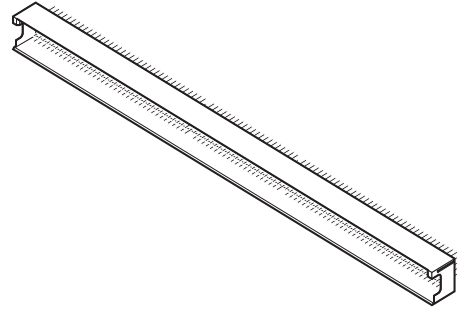
Physical

Housing: Polycarbonate, UL 94V-0
 Contact: Phosphor Bronze
 Plating: Gold performance level 1, 2 per IEC 1076-4-100
 PCB Thickness: 1.60 to 2.00mm (.063 TO .079")
 Operating Temperature: -55 to +125°C

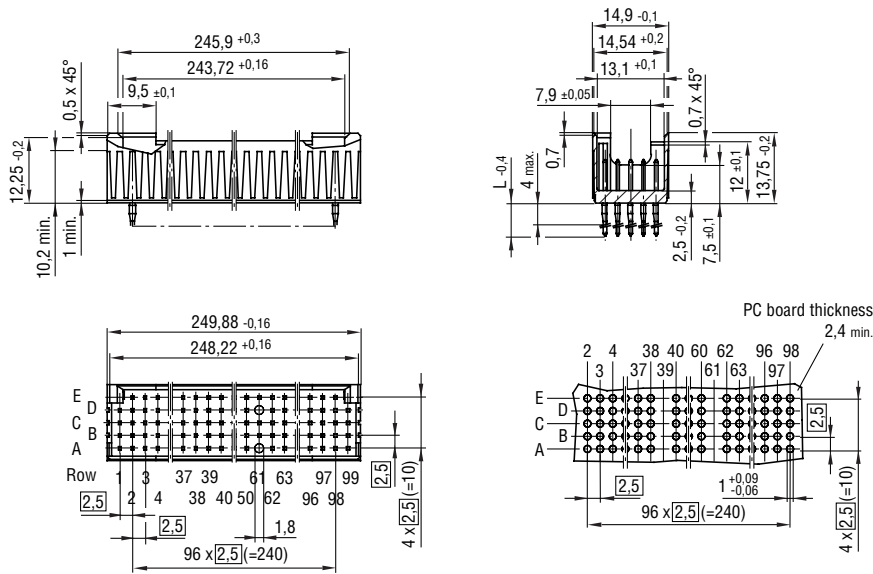


**2.50mm (.098") Pitch
 Omnigrid®
 Board-to-Board
 Backplane Header**

**85109
 Male, 10**



CATALOG DRAWING (FOR REFERENCE ONLY)



ORDERING INFORMATION

Arrangement	Termination	Order No.			
		G1/0	G1/1	G2/0	G2/2
1	6	85109-0012		85109-0062	
1	14		85109-0103		85109-0139
1	17,75		85109-0115		85109-0141
2	6	85109-0177		85109-0220	
2	14		85109-0268		85109-0294
2	17,75		85109-0270		85109-0309

Note: For contact plating codes (GX/X see Omnigrid Performance Page) For press-in insertion, please refer to tooling section. For other versions –tail length, plating, arrangements – please contact your local Molex office.