

## FEATURES AND SPECIFICATIONS

### Features and Benefits

- Up to 425 contacts
- Selective loading available
- Versions available to meet Bellcore 1217 requirements
- V-press fit termination

### Electrical

Working Voltage: 750Vrms (fully loaded)  
 Current: 1.5A max. (fully loaded)  
 Contact Resistance: 30mΩ max.  
 Dielectric Withstanding Voltage: 1000V  
 Insulation Resistance: 10<sup>6</sup> MΩ min.

### Mechanical

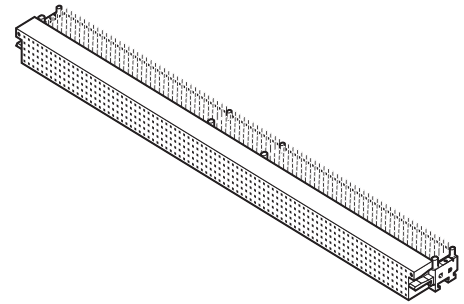
Insertion Force to PCB: 160N (35.97 lb) max.  
 Mating Force: 1N (.22 lb) max.  
 Unmating Force: 0.6N (.13 lb) min.  
 Durability: PL 1—500 cycles  
 PL 2—250 cycles

### Physical

Housing: Polycarbonate, UL 94V-0  
 Contact: Phosphor Bronze  
 Plating: Performance level 1, 2 per IEC 1076-4-100  
 PCB Thickness: 1.60 to 2.00mm (.063 TO .079")  
 Operating Temperature: -55 to +125°C

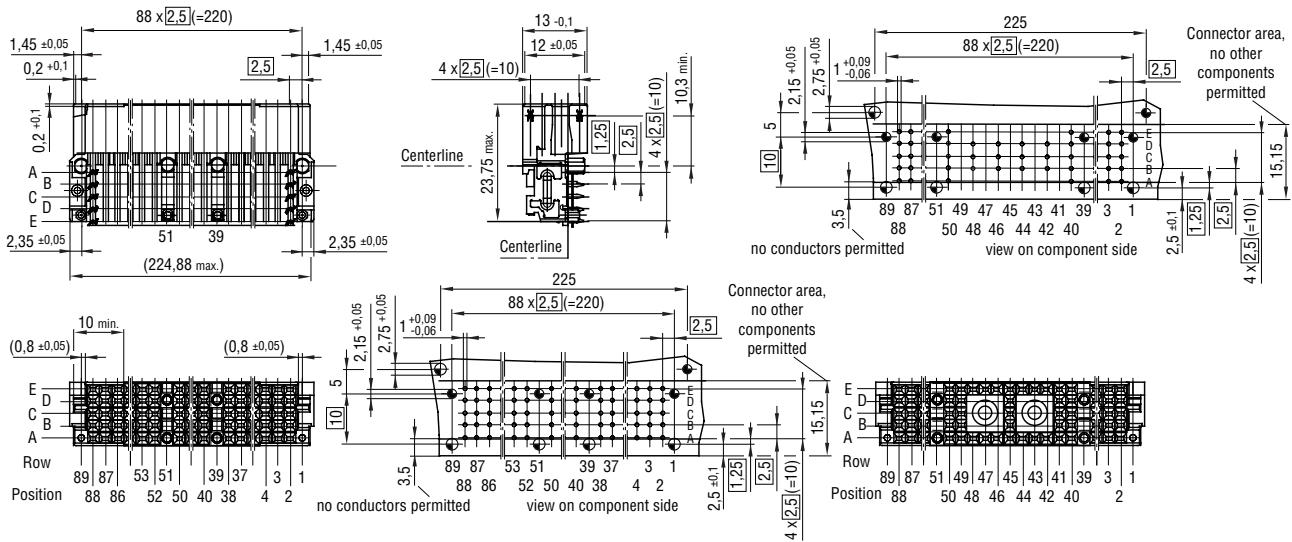
# molex® 2.50mm (.098") Pitch Omnigrid® Board-to-Board Receptacle

## 85106 Female, 9 SU + Power



Backplane Connector Systems

## CATALOG DRAWING (FOR REFERENCE ONLY)



## ORDERING INFORMATION

Arrangement	Order No.			
	G1/0	Power and G1/0	G2/0	Power and G2/0
1	85106-0000	85126-0206	85106-0012	85126-0218
2	85106-0024		85106-0036	
3	85106-0048		85106-0050	
4	85106-0062		85106-0074	
5	85106-0086		85106-0098	
6	85106-0103		85106-0115	
7	85106-0127		85106-0139	

Note: For contact plating codes (GX/X see Omnigrid Performance Page) For press-in insertion, please refer to tooling section. For other versions –tail length, plating, arrangements – please contact your local Molex office.