

## FEATURES AND SPECIFICATIONS

### Features and Benefits

- Up to 35 contacts
- Selective loading available
- Rear plug pin lengths available
- First-make/last-break contacts
- Last-make/first-break contacts (Available at any position)
- C-pins

### Electrical

Working Voltage: 750Vrms (fully loaded)  
 Current: 1.5A max. (fully loaded)  
 Contact Resistance: 30mΩ max.  
 Dielectric Withstanding Voltage: 1000V  
 Insulation Resistance: 10<sup>6</sup> MΩ min.

### Mechanical

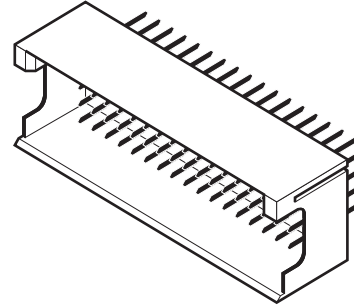
Insertion Force to PCB: 160N (35.97 lb) max.  
 Mating Force: 1N (.22 lb) max.  
 Unmating Force: 0.6N (.13 lb) min.  
 Durability: PL 1—500 cycles  
 PL 2—250 cycles

### Physical

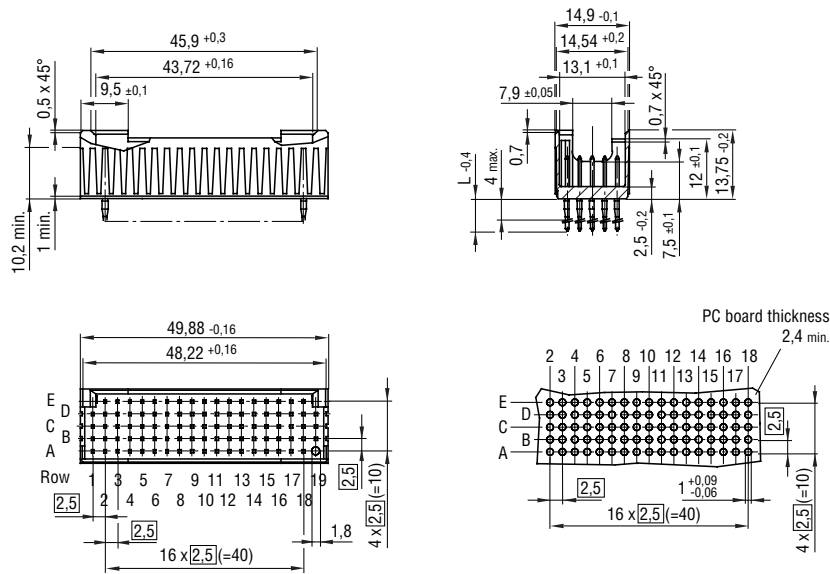
Housing: Polycarbonate, UL 94V-0  
 Contact: Phosphor Bronze  
 Plating: Gold performance level 1, 2 per IEC 1076-4-100  
 PCB Thickness: 1.60 to 2.00mm (.063 TO .079")  
 Operating Temperature: -55 to +125°C

# molex® 2.50mm (.098") Pitch Omnigrid® Board-to-Board Backplane Header

## 85103 Male, 2 SU



## CATALOG DRAWING (FOR REFERENCE ONLY)



## ORDERING INFORMATION

Arrangement	Termination	Order No.			
		G1/0	G1/1	G2/0	G2/2
1	6	85103-0012		85103-0062	
1	14		85103-0103		85103-0139
1	17,75		85103-0115		85103-0141
2	6	85103-0177		85103-0220	
2	14		85103-0268		85103-0294
2	17,75		85103-0270		85103-0309

Note: For contact plating codes (GX/X see Omnigrid Performance Page) For press-in insertion, please refer to tooling section. For other versions –tail length, plating, arrangements – please contact your local Molex office.

