

## FEATURES AND SPECIFICATIONS

## Features and Benefits

- Sizes 4 to 30 circuits
- Available with vacuum pick-up tape (contact Molex for details)

## Reference Information

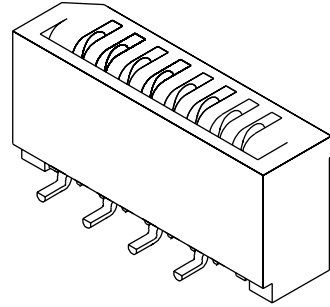
Packaging: Embossed tape  
Designed In: Millimeters

## Electrical

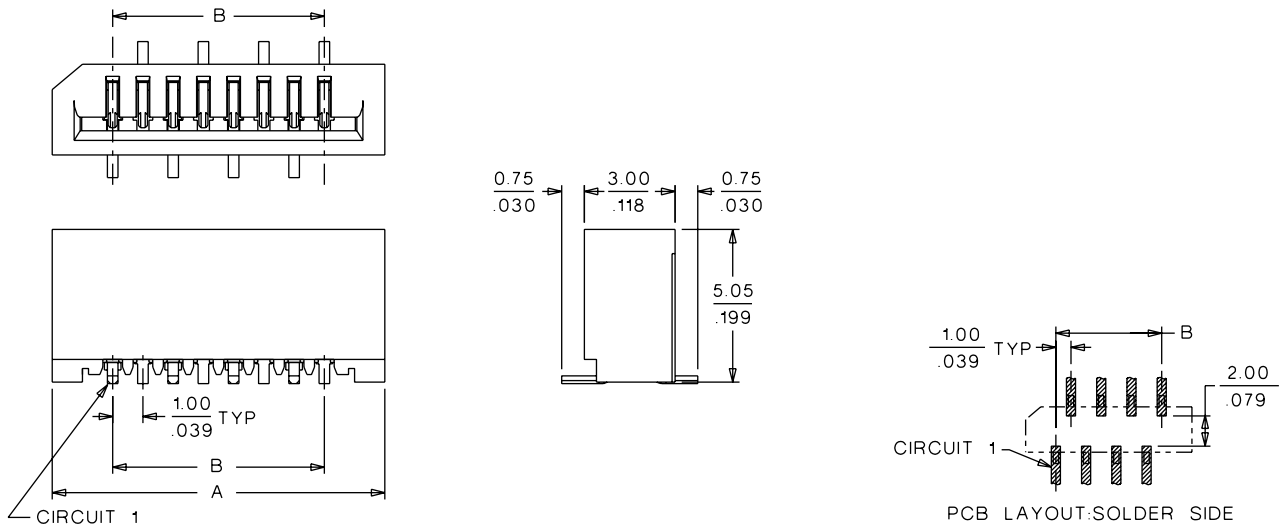
Voltage: 50V  
Current: 0.5A  
Contact Resistance: 30mΩ max.  
Dielectric Withstanding Voltage: 500V AC  
Insulation Resistance: 100 MΩ min.

## Physical

Housing: PPS, UL 94V-0  
Contact: Phosphor Bronze  
Plating: Tin/Lead  
Operating Temperature: -20 to +80°C


**1.00mm (.039") Pitch  
FFC/FPC Connector**
**52808****Vertical, SMT  
Non-ZIF**

## CATALOG DRAWING (FOR REFERENCE ONLY)



## ORDERING INFORMATION AND DIMENSIONS

Circuits	Order No.	Dimension		Carrier Tape Width	Circuits	Order No.	Dimension		Carrier Tape Width
		A	B				A	B	
4	52808-0490	7.00 (.275)	3.00 (.118)	16.00 (.630)	18	52808-1890	21.00 (.826)	17.00 (.669)	44.00 (1.732)
5	52808-0590	8.00 (.315)	4.00 (.157)	16.00 (.630)	19	52808-1990	22.00 (.866)	18.00 (.709)	44.00 (1.732)
6	52808-0690	9.00 (.354)	5.00 (.197)	24.00 (.945)	20	52808-2090	23.00 (.906)	19.00 (.748)	44.00 (1.732)
7	52808-0790	10.00 (.394)	6.00 (.236)	24.00 (.945)	21	52808-2190	24.00 (.945)	20.00 (.787)	44.00 (1.732)
8	52808-0890	11.00 (.433)	7.00 (.275)	24.00 (.945)	22	52808-2290	25.00 (.984)	21.00 (.826)	44.00 (1.732)
9	52808-0990	12.00 (.472)	8.00 (.315)	24.00 (.945)	23	52808-2390	26.00 (1.024)	22.00 (.866)	44.00 (1.732)
10	52808-1090	13.00 (.511)	9.00 (.354)	24.00 (.945)	24	52808-2490	27.00 (1.063)	23.00 (.906)	44.00 (1.732)
11	52808-1190	14.00 (.551)	10.00 (.393)	32.00 (1.260)	25	52808-2590	28.00 (1.102)	24.00 (.944)	44.00 (1.732)
12	52808-1290	15.00 (.590)	11.00 (.433)	32.00 (1.260)	26	52808-2690	29.00 (1.141)	25.00 (.984)	44.00 (1.732)
13	52808-1390	16.00 (.629)	12.00 (.472)	32.00 (1.260)	27	52808-2790	30.00 (1.181)	26.00 (1.024)	44.00 (1.732)
14	52808-1490	17.00 (.669)	13.00 (.511)	32.00 (1.260)	28	52808-2890	31.00 (1.220)	27.00 (1.063)	44.00 (1.732)
15	52808-1590	18.00 (.708)	14.00 (.551)	32.00 (1.260)	29	52808-2990	32.00 (1.260)	28.00 (1.102)	56.00 (2.205)
16	52808-1690	19.00 (.748)	15.00 (.590)	44.00 (1.732)	30	52808-3090	33.00 (1.299)	29.00 (1.141)	56.00 (2.205)
17	52808-1790	20.00 (.787)	16.00 (.630)	44.00 (1.732)					

Note: For cable specification dimensions, see cable pages at end of section