

FEATURES AND SPECIFICATIONS

Features and Benefits

- Single-point contact connection to PC board
- Ideal for test set-ups or side connections to PC boards
- No housing required

Molex 1881 Claspcon crimp-type terminals are designed for a single contact connection to a .093" dia. pin (16-06-0005) that has been inserted into a PC board. This type of interconnection is especially useful for test set-ups or side connections that must be made on the PC board. Two sizes are available, depending on specified wire size, both in Tin-plated Brass. Order mating .093" PC pin below.

Reference Information

Packaging: Bag or reel
 UL File No.: E29179
 CSA File No.: LR19980A
 Mates With: .093" round pins
 Designed In: Inches

Electrical

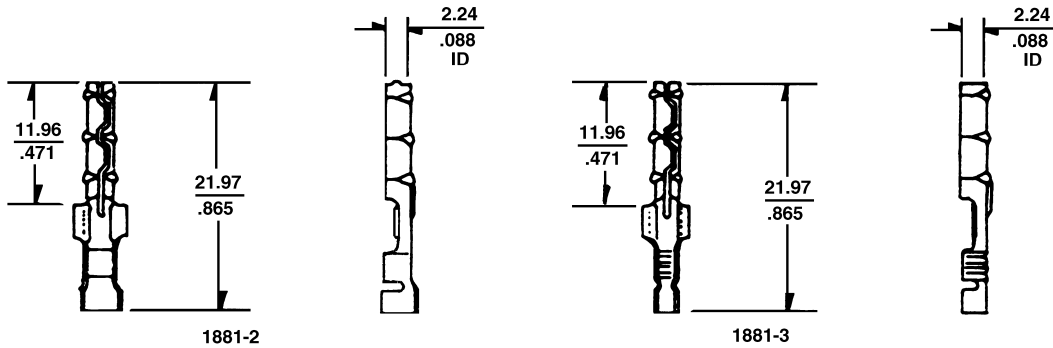
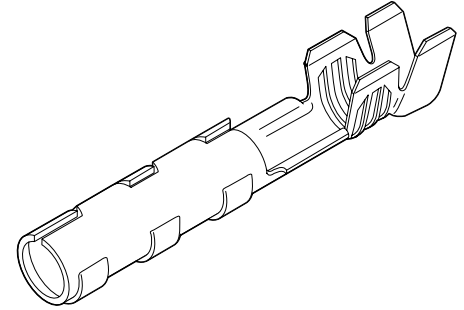
Current: 6.0A

Physical

Contact: Brass
 Plating: Tin

molex™ **Claspcon**™
Wire-to-Board
Crimp Terminal Sockets

1881
For Round Pins



ORDERING INFORMATION AND DIMENSIONS

| Crimp Wire Size AWG | Insulation Diameter | Engineering No. | 1881 Order No. | | .093" PC Pin Ordering Information | |
|------------------------|------------------------|-----------------|----------------|------------|-----------------------------------|------------|
| | | | Reel Form | Bag Form | Staking Length | Order No. |
| 16-24 | 3.50 (.138) max. | 1881-2 | 02-08-1101 | 02-08-1102 | 2.78 (.109) | 16-06-0005 |
| 24-30 | 0.76-1.52 (.030-.060) | 1881-3 | 02-08-1103 | 02-08-1104 | | |

Recommended wire range assumes stranded wire

See the Application Tooling section of this catalog for presses and automatic crimping equipment, Molex Mini-Mac and TM-42