

FEATURES AND SPECIFICATIONS

Features and Benefits

- Sizes 2 to 32 circuits
- Contact and plating orientation according to DIN 41651
- North/south contact orientation avoids overstress
- High pin retention, polarized and friction lock
- 1 through 6 circuits with endwall stabilization features

Reference Information

Product Specification: PS-99020-0001
 Packaging: Tray
 Mates With: 90123 and 90156
 Designed In: Inches

Electrical

Voltage: 350V
 Current: 3.0A
 Contact Resistance: 20mΩ max.
 Insulation Resistance: 1000 MΩ min.

Mechanical

Contact Retention to Housing: 20N (2.0kgf) min.
 Mating Force: 1N Gold and 3N max. Tin
 Unmating Force: 0.2N min. Gold and 0.2N min. Tin
 Normal Force: 1N

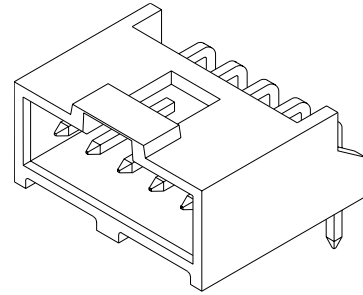
Physical

Housing: Black glass-filled polyester, UL 94V-0
 Contact: Copper Alloy, 0.64mm (.025") square pins
 Plating: See Table
 Operating Temperature: -55 to +125°C

molex® 2.54mm (.100") Pitch C-Grid III™ Shrouded Header

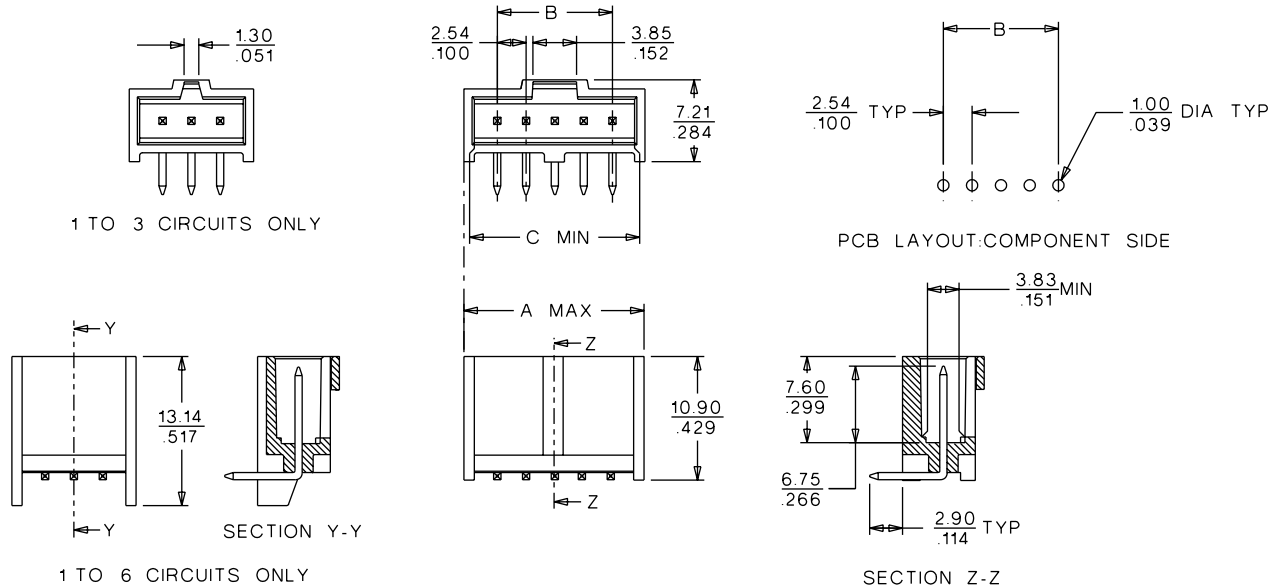
90136

Single Row Right Angle



CATALOG DRAWING (FOR REFERENCE ONLY)

Not For Use With Molex SL™ Components



ORDERING INFORMATION AND DIMENSIONS

Circuits	Order No.			Dimension		
	Plating A	Plating E	Plating F	A	B	C
2	90136-2102	90136-2202	90136-2302	8.81 (.347)	2.54 (.100)	6.40 (.252)
3	90136-2103	90136-2203	90136-2303	11.35 (.447)	5.08 (.200)	8.94 (.352)
4	90136-2104	90136-2204	90136-2304	13.89 (.547)	7.62 (.300)	11.48 (.452)
5	90136-2105	90136-2205	90136-2305	16.43 (.647)	10.16 (.400)	14.02 (.552)
6	90136-2106	90136-2206	90136-2306	18.97 (.747)	12.70 (.500)	16.56 (.652)
7	90136-2107	90136-2207	90136-2307	21.51 (.847)	15.24 (.600)	19.10 (.752)
8	90136-2108	90136-2208	90136-2308	24.05 (.947)	17.78 (.700)	21.64 (.852)
9	90136-2109	90136-2209	90136-2309	26.59 (1.047)	20.32 (.800)	24.18 (.952)
10	90136-2110	90136-2210	90136-2310	29.13 (1.147)	22.86 (.900)	26.72 (1.052)
12	90136-2112	90136-2212	90136-2312	34.21 (1.347)	27.94 (1.100)	31.80 (1.252)
15	90136-2115	90136-2215	90136-2315	41.83 (1.647)	35.56 (1.400)	39.42 (1.552)
18	90136-2118	90136-2218	90136-2318	49.45 (1.947)	43.18 (1.700)	47.04 (1.852)
22	90136-2122	90136-2222	90136-2322	59.61 (2.347)	53.34 (2.100)	57.20 (2.252)
25	90136-2125	90136-2225	90136-2325	67.23 (2.647)	60.96 (2.400)	64.82 (2.552)
30	90136-2130	90136-2230	90136-2330	79.93 (3.147)	73.66 (2.900)	77.52 (3.052)
32	90136-2132	90136-2232	90136-2332	85.01 (3.347)	78.74 (3.100)	82.60 (3.252)

For other available circuit sizes contact Molex

Plating A: 4μm (160μ") Tin/Lead over Nickel

Plating E: 0.38μm (15μ") selective Gold over Nickel and 4μm (160μ") Tin/Lead over Nickel

Plating F: 0.76μm (30μ") selective Gold over Nickel and 4μm (160μ") Tin/Lead over Nickel