

FEATURES AND SPECIFICATIONS

Features and Benefits

- Rigid contact

Reference Information

Packaging: Reel or bag
 Mates With: [5103](#) terminals
 Use With: [5240](#) housing
 Designed In: Millimeters

Electrical

Voltage: 250V
 Current:

AWG	22	24	26	28
Amperes	3.0	2.5	2.0	1.5

Contact Resistance: 20mΩ max.
 Dielectric Withstanding Voltage: 1000V AC/1 min.
 Insulation Resistance: 1000 MΩ min.

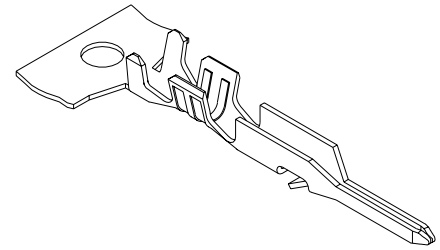
Physical

Contact: Brass
 Plating: Tin
 Operating Temperature: -40 to +105°C
 Wire Range: 22 to 28 AWG
 Strip Length: 2.6 to 3.2mm



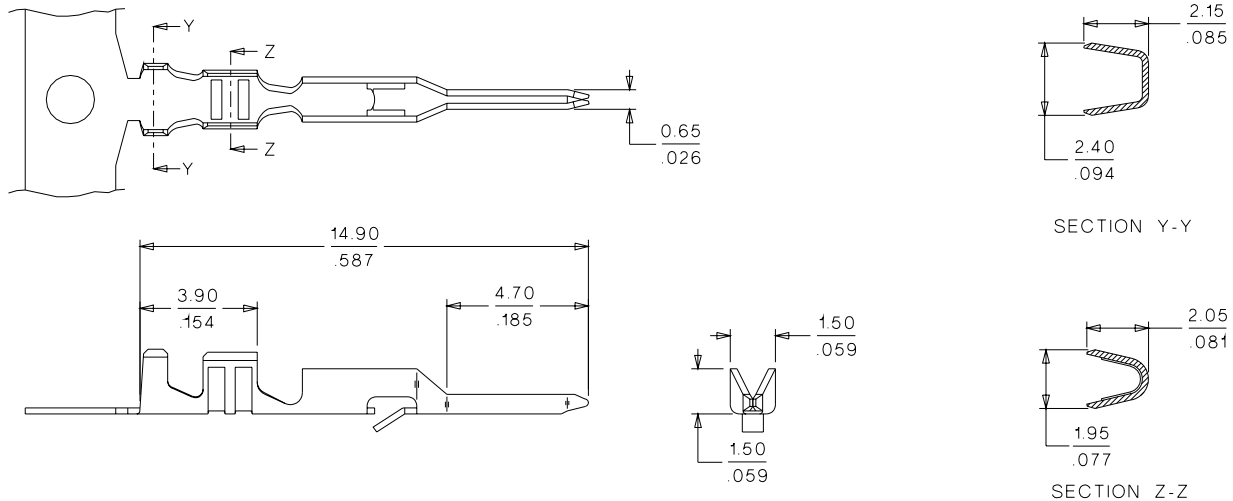
2.50mm (.098") Pitch SPOX™ Wire-to-Wire Male Crimp Terminal

5241



2.00 to 2.50mm (.079 to .098") Pitch

CATALOG DRAWING (FOR REFERENCE ONLY)



ORDERING INFORMATION AND DIMENSIONS

Order No.	Terminal	Wire Gauge AWG	Insulation Diameter	Contact Material
08-70-0102	Reel	22-28	1.90mm max.	Tin-Plated Brass
08-70-0103	Bag			

Recommended wire range assumes stranded wire